

# ATS•US-2000 FSB Feeder Stacker Bander *AUTOMATICALLY COUNT, STACK & BAND!*



- Integrated with a Rontech Feed Counter & the dependable ATS•US-2000 Ultra-Sonic Banding Machine
- Banding rate: Up to 25 bands per minute
- Increase speed and accuracy while lowering costs and downtime
- Touch-screen programming to easily adjust settings
- A new, better alternative to multi-operator systems
- Band with paper, clear poly, or white foamed “ribbon-like” material ( 20mm, 30mm, & 50mm widths)
- Product sizes of 4”x5” to 8.5”x11”, with larger or smaller custom ranges available
- Minimal changeover time for a wide range of products

## Now Available with Autofeed!

- Continuous feed
- 150 Meters per minute (500 feet/min.)



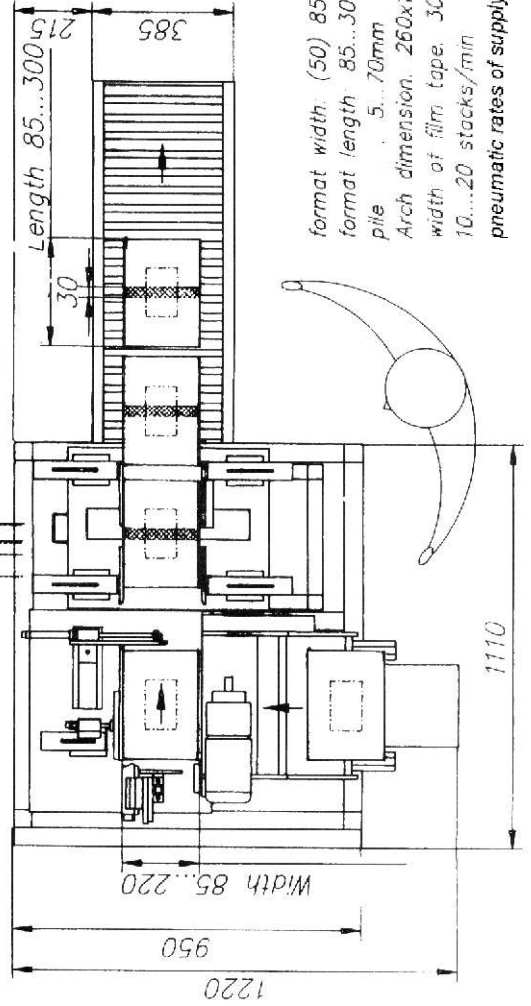
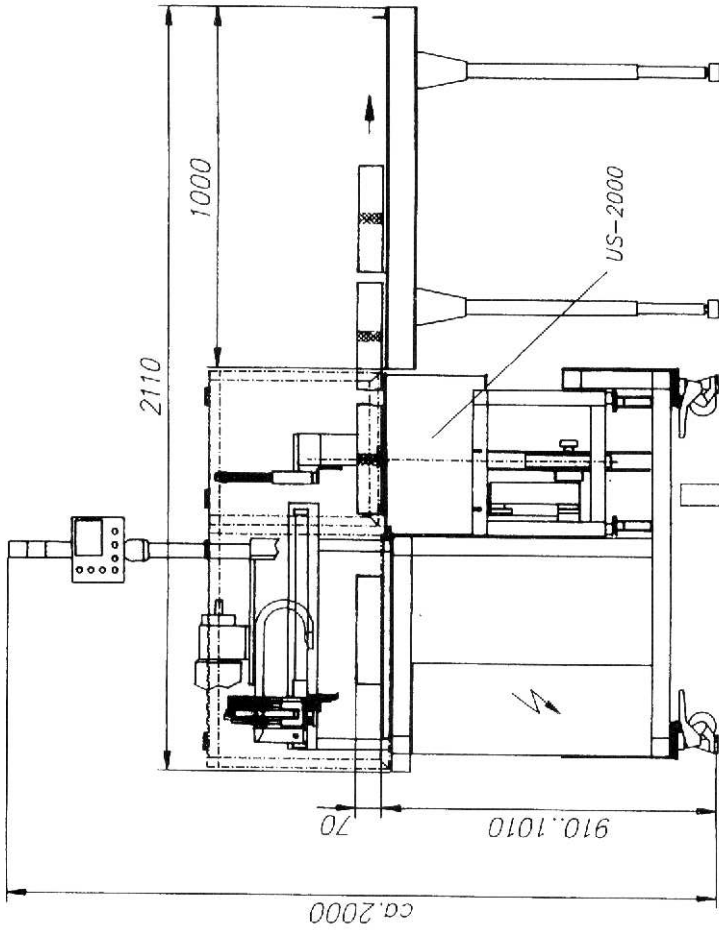
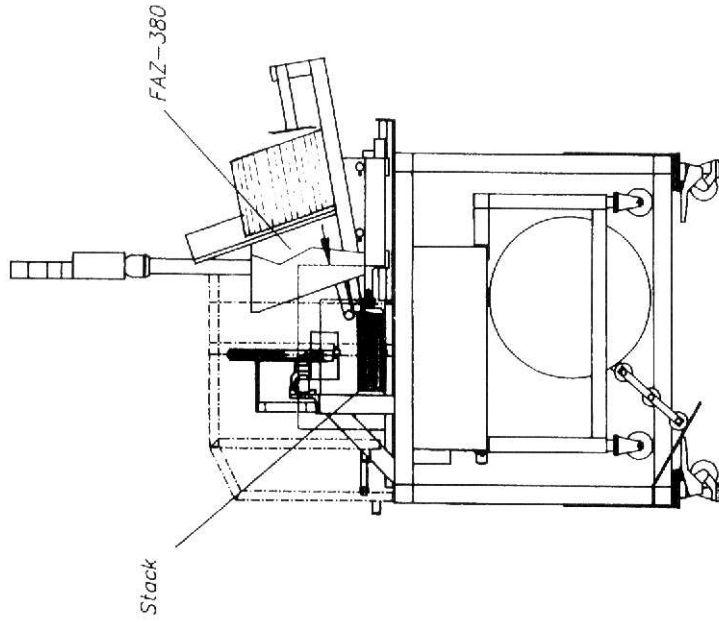
**WEXLER PACKAGING PRODUCTS**

*“The Banding People”*

777-M Schwab Road • Hatfield, PA 19440

215.631.9700 • Fax 215.631.9705 • 888.4.BANDING

web site: [www.wexlerpackaging.com](http://www.wexlerpackaging.com) • e-mail: [sales@wexlerpackaging.com](mailto:sales@wexlerpackaging.com)



format width: (50) 85...220mm  
 format length 85...300mm  
 pile 5...70mm  
 Arch dimension: 260x180  
 width of film tape: 30mm  
 10...20 stacks/min  
 pneumatic rates of supply: 90p.s.i.

3	2	1
---	---	---

FSB - Feeding, Stacking  
 and Banding-system

Tanner & Co. AG

2-5173/A

Ersatz durch		
Ersatz für		
M	Gez.	2.7.98 Cu
	Gepr.	
1:10	Ngpr.	6.10.98 AB
	Gez.	