

ATS•US-2000 CSW-DMS *DIGITAL MEASURING SYSTEM!*

The **ATS•US-2000 CSW-DMS** (Digital Measuring System) bands mixed sizes of stacks in various lengths.

The stacks are measured automatically and banded once per stack or multiple times per stack.

Banding Rate:
Up to 25 bands per minute



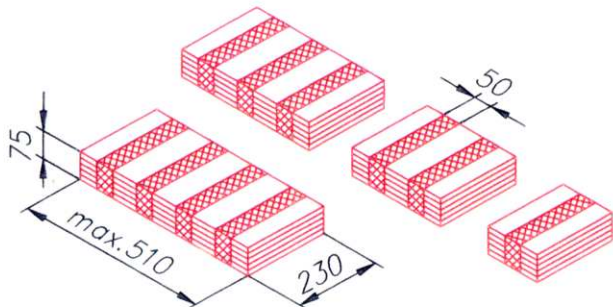
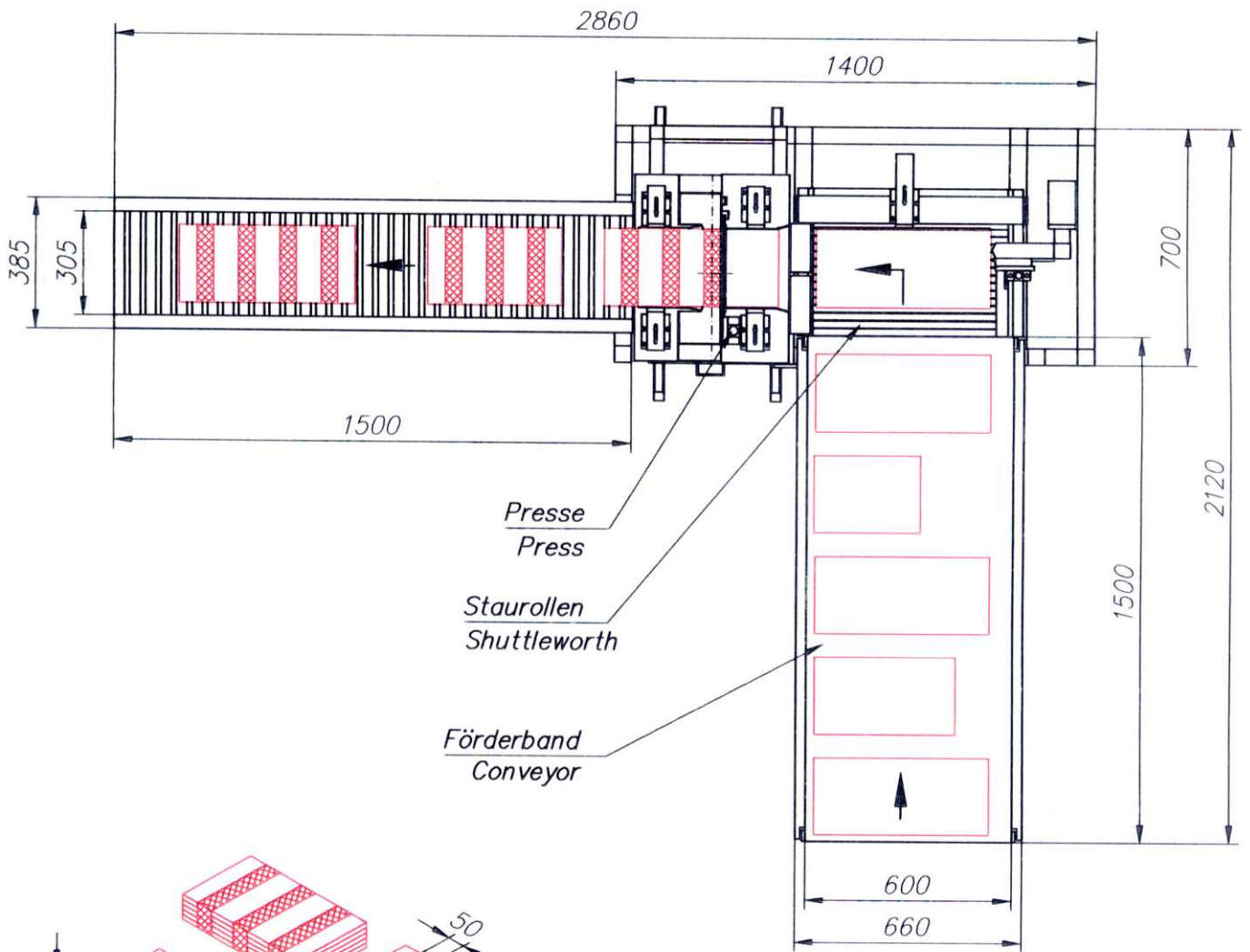
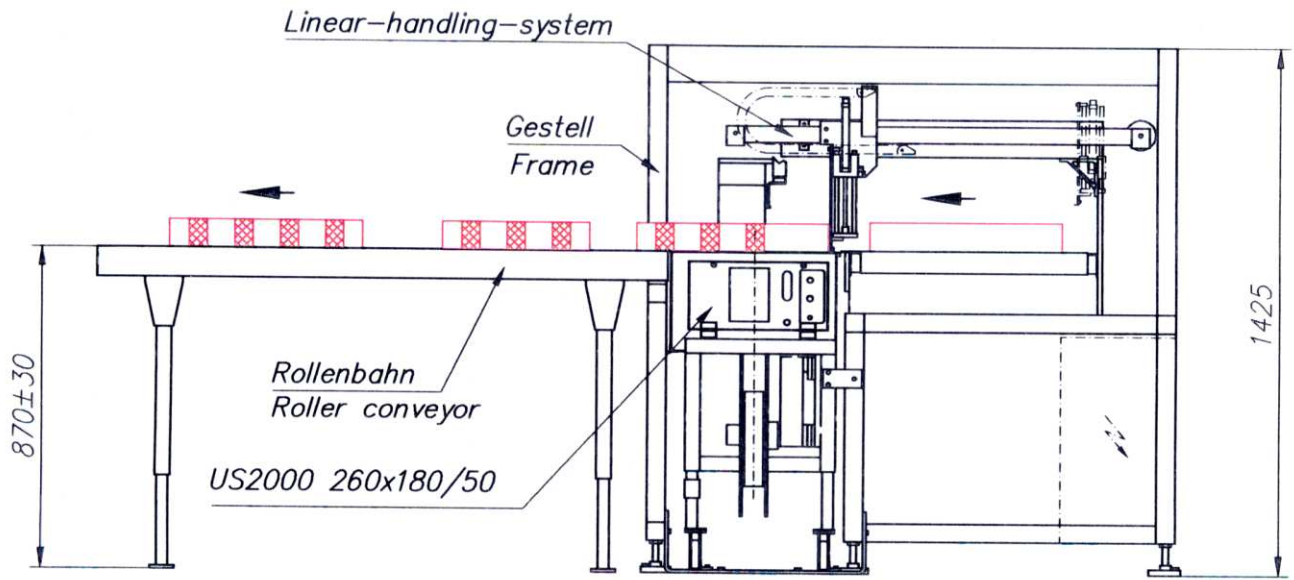
WEXLER PACKAGING PRODUCTS

"The Banding People"

777-M Schwab Road • Hatfield, PA 19440

215.631.9700 • Fax 215.631.9705 • 888.4.BANDING

web site: www.wexlerpackaging.com • e-mail: sales@wexlerpackaging.com



Stückzahl	Gegenstand	Pos.	Werkstoff	kg/St.	Modell	Bemerkung
3	2	1	Aenderungen			Ersetzt durch
						Ersatz für
US-2000 ATS-DMS				M	Gez.	11.11.99 Gu
Corner line with				1:10	Gepr.	
Servo-Pusher					Ngepr.	06.07.00 AB
ATS Automatic Taping Systems AG.					Ges.	
5616 Meisterschwanden Tel 056 667 23 44				2-8100/03		