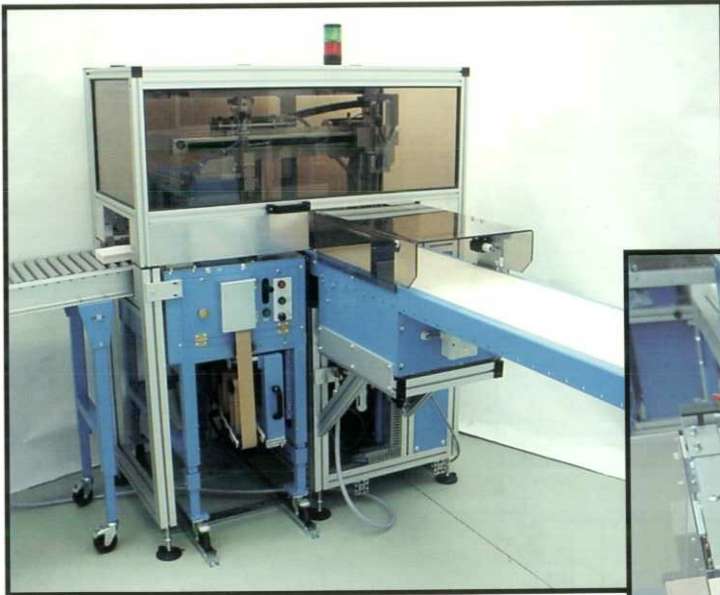


INTRODUCING

ATS•CSW - Corner Line for Graphics



The **ATS•CSW - Corner Line for Graphics** offers a new, high production solution for banding printed product. Gently shuttles stacks onto a roller conveyor and stages products for banding.

Benefits of the CSW

- ATS US-2000 Ultra-Sonic Technology
- Banding Rate: 15-22 stacks/min. (Electro-motor)
Up to 28 stacks/min. (Servo-motor)
- Minimal changeover time
- Materials available in 20mm, 30mm or 50mm
- Band with paper, clear poly film, or white fumed "ribbon like" material

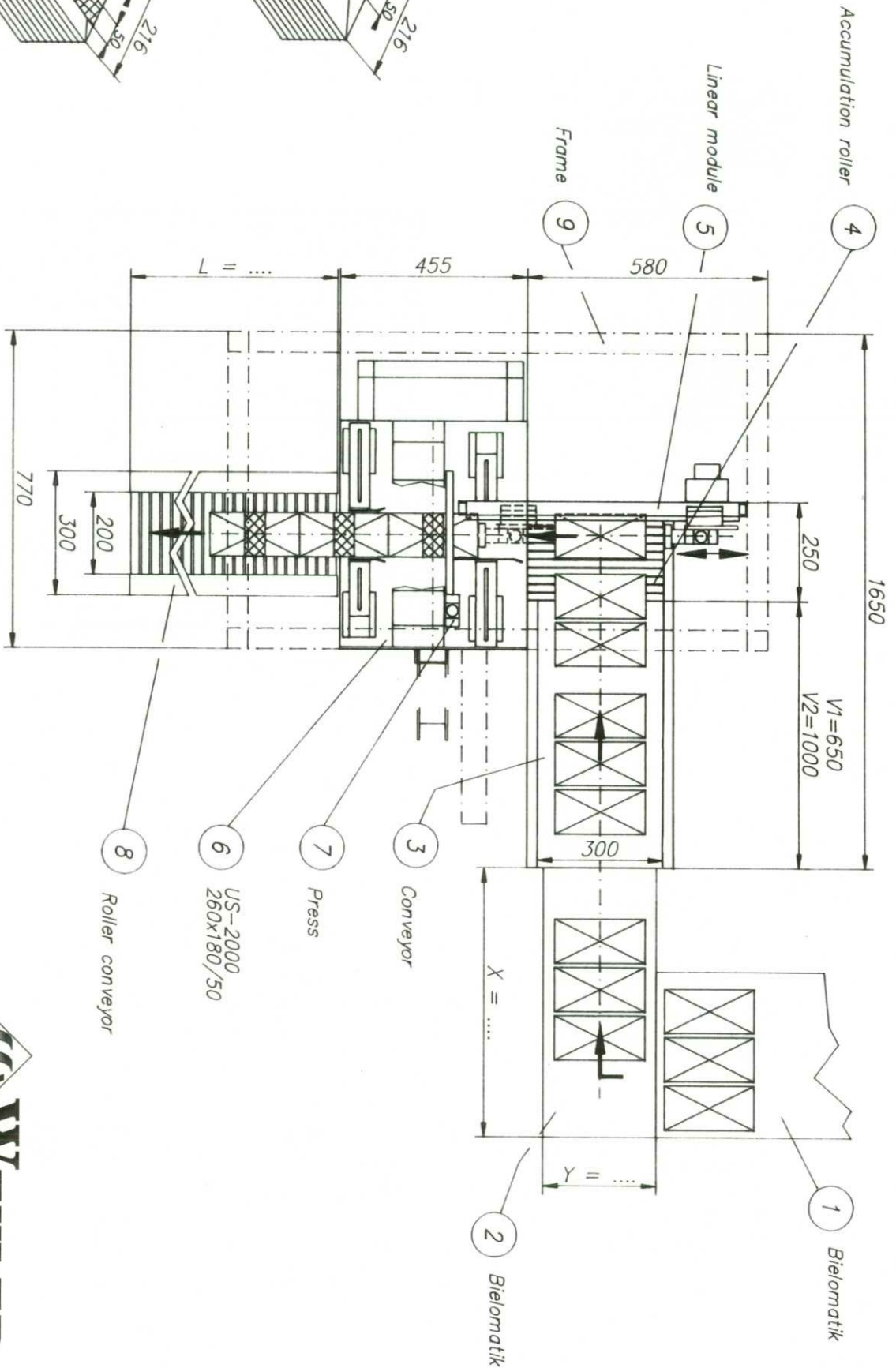
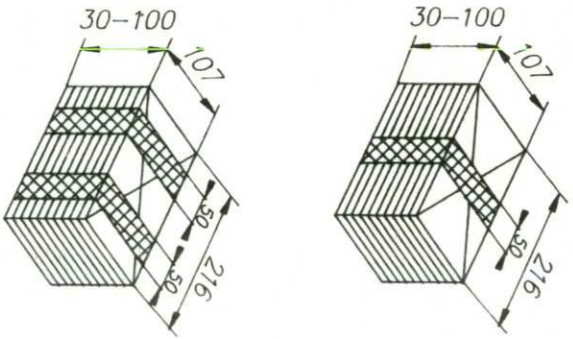


WEXLER PACKAGING PRODUCTS

"The Banding People"

777-M Schwab Road • Hatfield, PA 19440
215.631.9700 • Fax 215.631.9705 • 888.4.BANDING

web site: www.wexlerpackaging.com • e-mail: sales@wexlerpackaging.com



EM(Electromotor) SLM(Servo-motor)
 1x banding : 19 Stacks/min. 28 Stacks/min.
 2x banding : 12 Stacks/min. 15 bStacks/min.



WEXLER
 "The Banding People"
 1050 Bethlehem Pike • North Wales, PA 19454
888.4.BANDING

(888.422.6346)
 Phone: 215.641.0300 • Fax: 215.641.2330
 www.wexlerpackaging.com